

AMSO

```

1 --> OOP[0] -> ROI CN29-1 -> ROI X2-2 -> R3 Peltier
2 --> OOP[3] -> ROI CN29-4 -> ROI X2-5 -> R6 QJ Lamp
3 --> OOP[6]
4 --> IOP[1] -> ROI CN29-11 -> ROI X1-2-> Home SM2
5 --> IOP[4]
6 --> IOP[7] -> End Run 2
7 --> GND - SHUNT 7/9/18/26 -> ROI CN29 15/16
8 --> VCC - SHUNT 8/17 -> ROI CN29-13/14
9 --> GND - SHUNT 7/9/18/26 -> ROI CN29 15/16
10 --> OOP[1] -> ROI CN29-2 -> ROI X2-3 -> R4 FanPeltier
11 --> OOP[4] -> ROI CN29-5 -> ROI X2-6 ->SPARE
12 --> OOP[7]
13 --> IOP[2]
14 --> IOP[5]
15 --> A/D_TMP
16 --> GND
17 --> T_AN - SHUNT 8/17 --> ROI CN29-13/14
18 --> T_E - SHUNT 7/9/18/26 -> ROI CN29 15/16
19 --> OOP[2] -> ROI CN29-3 -> ROI X2-4 -> R5 HG Lamp
20 --> OOP[5] -> ROI CN29-6 -> ROI X2-7 ->SPARE
21 --> IOP[0]
22 --> IOP[3]-> ROI CN29-12 -> ROI X1-1 -> Home SM1
23 --> IOP[6] -> End Run 1
24 --> A/D_PR
25 --> POW
26 --> GND - SHUNT 7/9/18/26 -> ROI CN29 15/16
    
```

AMS1 Conn26

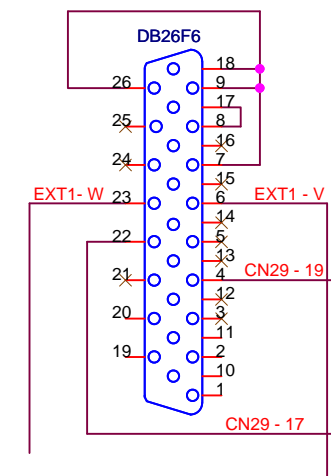
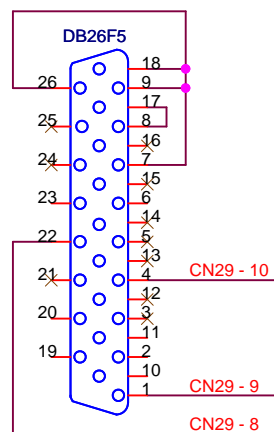
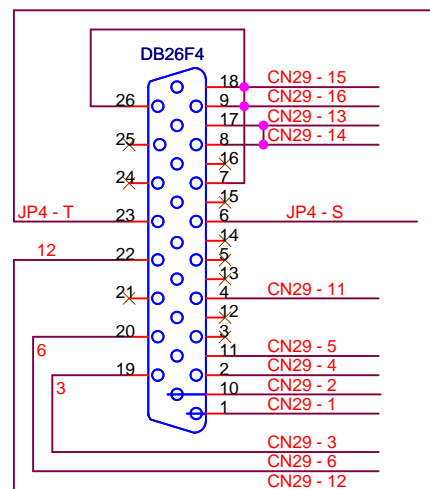
```

1 --> OOP[0] -> ROI CN29-9 -> ROI X3-1-> PWM
2 --> OOP[3]
3 --> OOP[6]
4 --> IOP[1] -> ROI CN29-10 -> ROI X1-4-> Home SM4
5 --> IOP[4]
6 --> IOP[7]
7 --> GND - SHUNT 7/9/18/26
8 --> VCC
9 --> GND- SHUNT 7/9/18/26
10 --> OOP[1]
11 --> OOP[4]
12 --> OOP[7]
13 --> IOP[2]
14 --> IOP[5]
15 --> A/D_TMP
16 --> GND
17 --> T_AN
18 --> T_E - SHUNT 7/9/18/26
19 --> OOP[2]
20 --> OOP[5]
21 --> IOP[0]
22 --> IOP[3] -> ROI CN29-8 -> ROI X1-3-> Home SM3
23 --> IOP[6]
24 --> A/D_PR
25 --> POW
26 --> GND - SHUNT 7/9/18/26
    
```

AMS2 Conn26

```

1 --> OOP[0]
2 --> OOP[3]
3 --> OOP[6]
4 --> IOP[1] -> ROI CN29-19 -> ROI X1-6-> Home SM6
5 --> IOP[4]
6 --> IOP[7] -> End Run 2
7 --> GND - SHUNT 7/9/18/26
8 --> VCC
9 --> GND - SHUNT 7/9/18/26
10 --> OOP[1]
11 --> OOP[4]
12 --> OOP[7]
13 --> IOP[2]
14 --> IOP[5]
15 --> A/D_TMP
16 --> GND
17 --> T_AN
18 --> T_E - SHUNT 7/9/18/26
19 --> OOP[2]
20 --> OOP[5]
21 --> IOP[0]
22 --> IOP[3] -> ROI CN29-17 -> ROI X1-5-> Home SM5
23 --> IOP[6] -> End Run 1
24 --> A/D_PR
25 --> POW
26 --> GND - SHUNT 7/9/18/26
    
```



- OOP[0:7]: Optocoupled Output Port.
- IOP[0:7]: Optocoupled Input Port.
- T_AN: .
- T_E: .
- A/D_TMP: ingresso del sensore di temperatura.
- A/D_PR: ingresso del sensore di pressione.
- VCC: +5V 250mA MAX.
- POW: AMS supplied voltage 250 mA MAX
- GND: Ground.

Title <Title>		
Size A3	Document Number <Doc>	Rev <RevC>
Date:	Wednesday, October 17, 2012	Sheet 1 of 1